

# AMBER

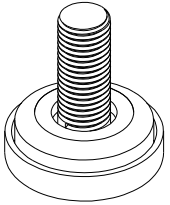
## Assembly Instructions

CHERRYMAN

A832 Storage 2F Ped Assembled

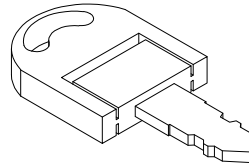
A840 Storage 2F Ped Assembled

Ⓒ  $\phi 22 \times 27$  4(PCS)

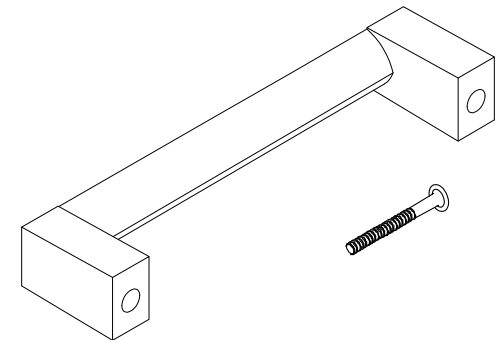


Ⓔ

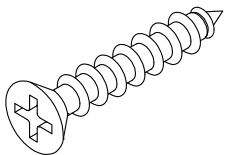
2(PCS)



Ⓓ 96MM 2(PCS)

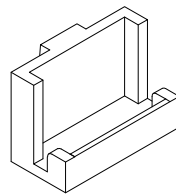


⒲  $\phi 4 \times 30$  6(PCS)

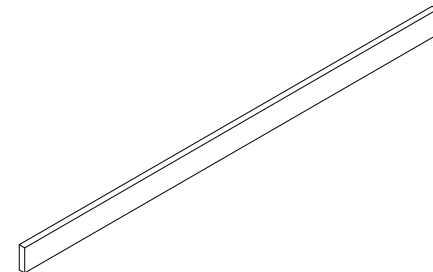


Ⓒ

4(PCS)



Ⓐ1 302MM 2(PCS)



# AMBER

## Assembly Instructions

CHERRYMAN

A832 Storage 2F Ped Assembled

A840 Storage 2F Ped Assembled

