

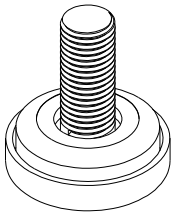
AMBER

Assembly Instructions

CHERRYMAN

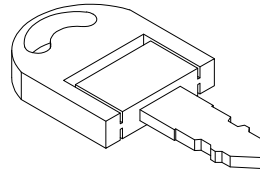
A831 Storage 2B1F Ped Assembled

Ⓒ $\phi 22 \times 27$ 4(PCS)

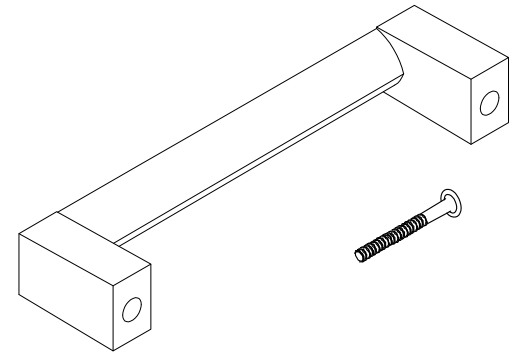


Ⓔ

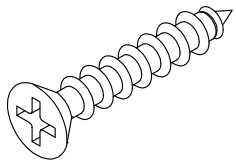
2(PCS)



Ⓓ 96MM 3(PCS)

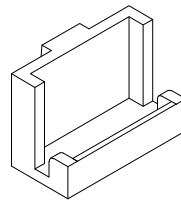


⒱ $\phi 4 \times 30$ 6(PCS)

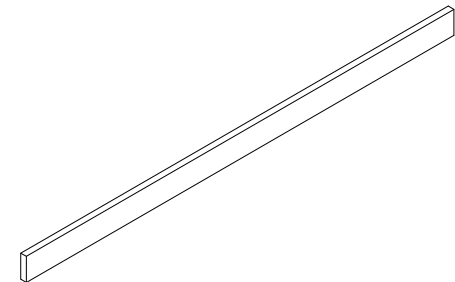


Ⓕ

2(PCS)



Ⓐ1 302MM 1(PCS)



AMBER

Assembly Instructions

CHERRYMAN

A831 Storage 2B1F Ped Assembled

