

AMBER

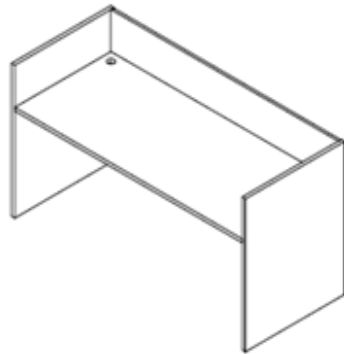
Assembly Instructions

CHERRYMAN

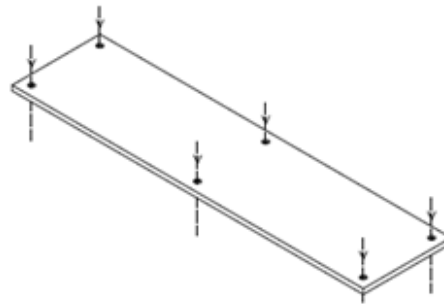
A124 Return Reception Shell

A126 Reception DESK Shell

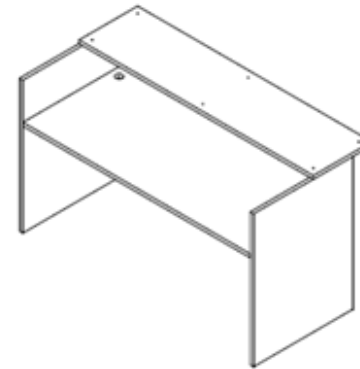
A127 Reception Glass Top



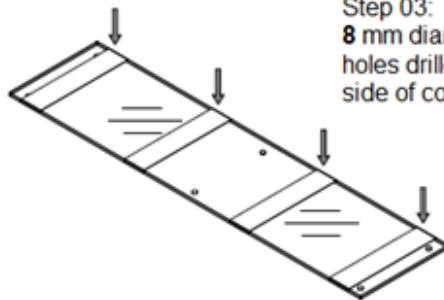
Step 01



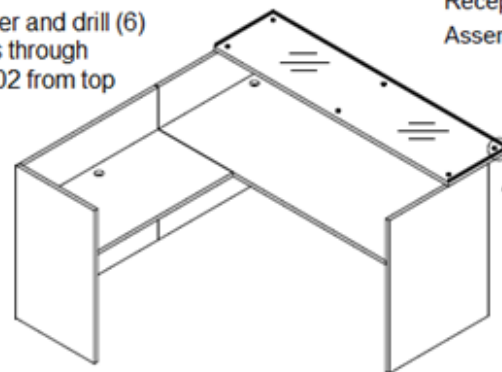
Step 02: Drill (6) 4 mm diameter holes through pre-drilled counter bored holes on bottom side of counter top. Place top side of counter top on a wood block for support when drilling.



Step 04



Step 03: Turn top over and drill (6) 8 mm diameter holes through holes drilled in Step 02 from top side of counter top.



Step 05: When handling glass top assembly, grip glass in areas covered in microfoam to avoid leaving fingerprints on glass. After securing glass top assembly, carefully cut microfoam and remove.

Reception Glass Top Assembly with Spacers

Glass Top Spacers

M6-1 X 20 MM Socket Head Cap Screws (6)
A(1:4)



Step 06: Install (6) M6-1 X 20 MM Socket Head Cap Screws into glass spacers by hand with a screwdriver. When M6-1 thread engages with insert make one more revolution. **Do not overtighten screws.**