

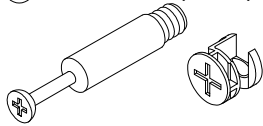
AMBER

Assembly Instructions

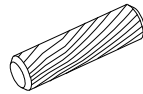
CHERRYMAN

A124 Return Reception Shell

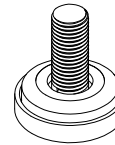
Ⓐ $\phi 15 \times 33$ 7(PCS)



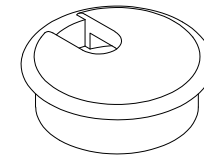
Ⓑ $\phi 8 \times 30$ 7(PCS)



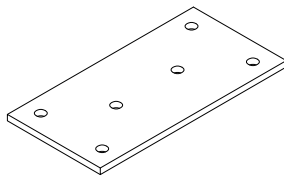
Ⓒ $\phi 22 \times 27$ 4(PCS)



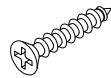
Ⓓ $\phi 50$ 2(PCS)



Ⓔ $100 \times 50 \times 3$ 4(PCS)



Ⓕ $\phi 4 \times 20$ 24(PCS)



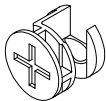
Ⓖ $\phi 3.5 \times 16$ 16(PCS)



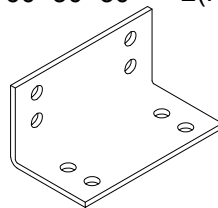
Ⓗ $\phi 15 \times 1$ 10(PCS)



Ⓘ $\phi 15 \times 12$ 3(PCS)



Ⓙ $60 \times 30 \times 30$ 2(PCS)



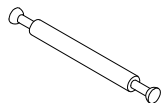
Ⓚ $\phi 8$ 2(PCS)



Ⓛ $\phi 6 \times 13$ 3(PCS)



Ⓧ 6×64 1(PCS)

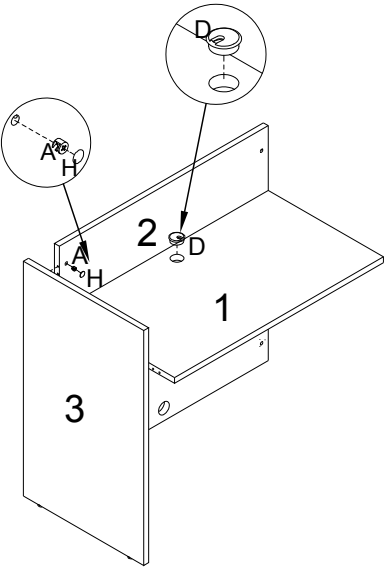
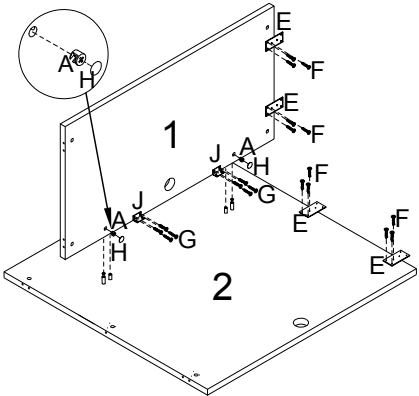
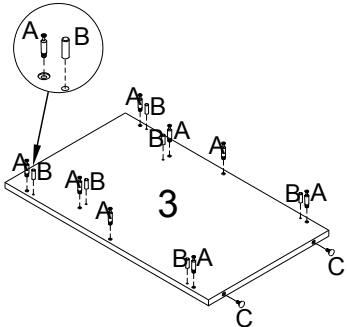
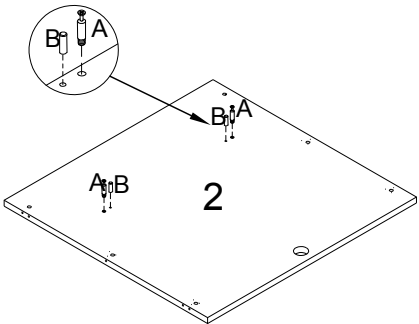


AMBER

Assembly Instructions

CHERRYMAN

A124 Return Reception Shell



AMBER

Assembly Instructions

CHERRYMAN

A124 Return Reception Shell

