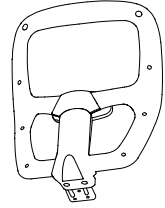

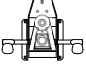

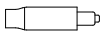





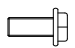

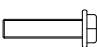


Assembly Steps 206M- Respond 1.1

Package Contents

		Qty	Part
		1x	2025
2018L 1x		1x	2019R
		1x	2004
		1x	2020
		1x	2021
		1x	2022
		5x	2023
		3x	2010
		3x	2011
		1x	2013
		3x+1	2014
		4x+1	2015
		6x+1	2024

Warning ⚠

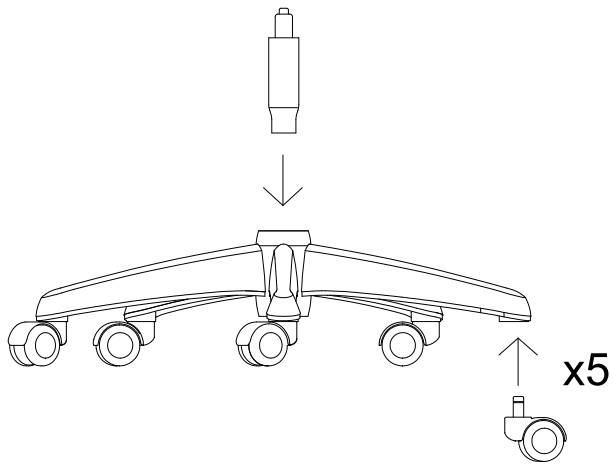
1. Product is for single person use only.
2. Do not use this chair unless all bolts and knobs are securely tightened.
3. Check that all bolts and knobs are tightened every six months or as needed.
4. Dispose of packing material properly, DO NOT use plastic cover as a head covering. Suffocation may result.
5. Do not use this chair as a stepladder.



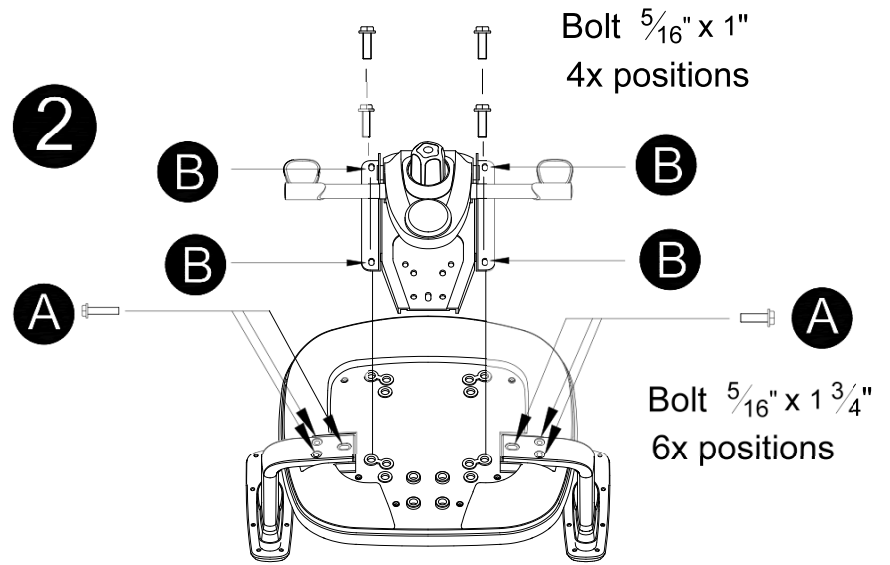
Call for parts or assistance: 1-888-471-1616

CERRYMAN

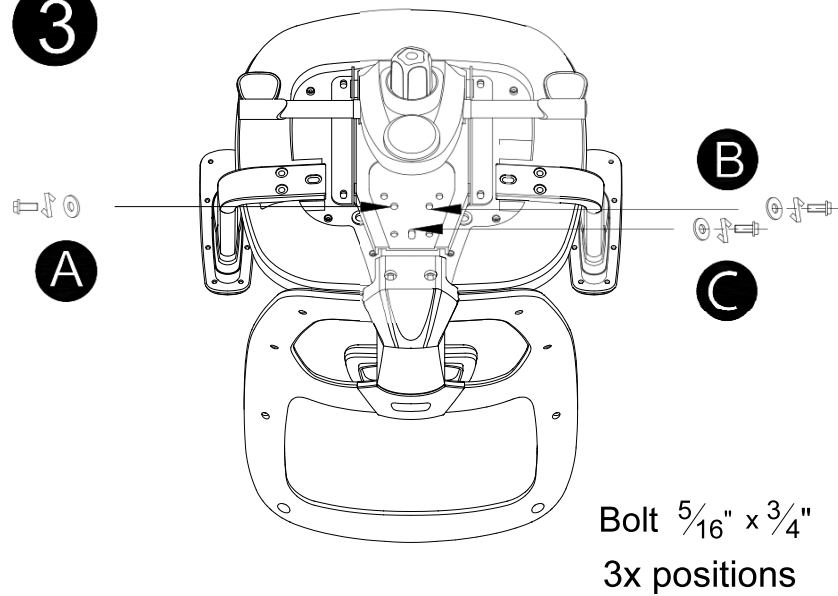
1



2



3



4

